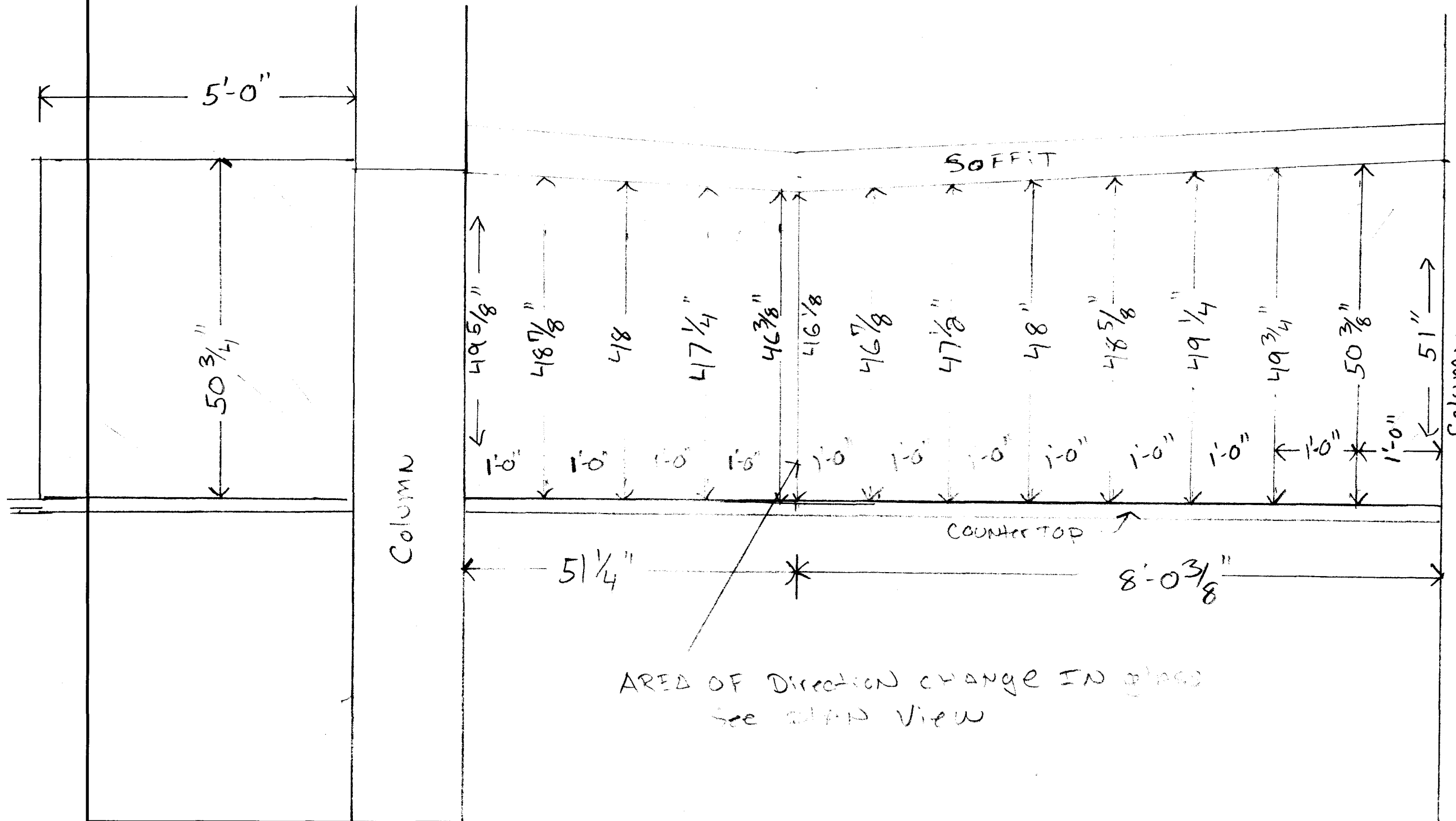


PROJECT: Brookline Police Department / Oneway glass



Notes:

* THESE ARE
ALL EXACT
DIMENSION
PLEASE ALLOW
FOR DEDUCTIONS

Company: H&H Builders Inc.
149 Buttonwood Street
Dorchester, MA 02125

Drawing #: A1
Plan and Elevation view

Date: 9/12/2017

Scale: NTS

By: RGH

H&H Builders Inc.
149 Buttonwood Street, Dorchester, MA

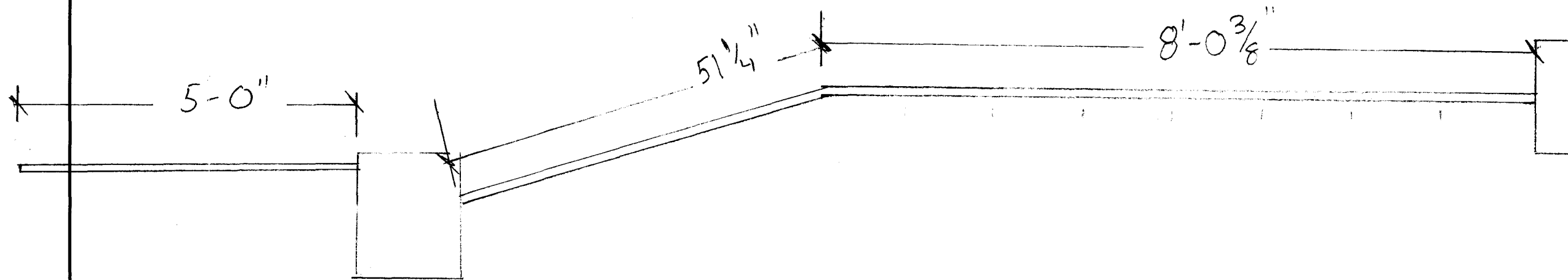
617-282-1082 Fax: 617-282-0874

www.hhbuilders.com

rhoferjr@hhbuilders.com

PROJECT: Brookline Police Department / Oneway glass

Notes:



Company: H&H Builders Inc.
149 Buttonwood Street
Dorchester, MA 02125

Drawing #: A1
Plan and Elevation view

Date: 9/12/2017

Scale: NTS

By: RGH

H&H Builders Inc.

149 Buttonwood Street, Dorchester, MA

617-282-1082

Fax: 617-282-0874

www.hhbuilders.com

rhoferjr@hhbuilders.com